

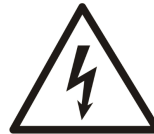
Maintain the instructions and give them to the facility user.

Safety instructions

Check the product for transport contents and damage. If you notice any defects or shortcomings in the delivery or in the product, please contact the seller immediately.

The luminaire must be disconnected from the mains before installation or maintenance work to avoid the risk of electric shock!

- The luminaire does not come with a terminal block. The installation or maintenance of the luminaire should only be carried out by an authorized person in accordance with these instructions.
- The light source of the luminaire may only be replaced by the manufacturer, a person authorized by him or an equivalent qualified person.



Instructions

- No changes may be made to the product
- The manufacturer is not responsible for misuse of the product
- The installed product must not be subjected to external mechanical stress
- The installed product must not be exposed to strong chemicals
- Do not look directly at the luminaire that is on

Service instructions

- If necessary, use neutral soap solutions and non-abrasive cleaners to clean the luminaire

Storage

- The product is stored in a dry and clean environment
- Do not strain the product mechanically or chemically during storage

Brackets:

Use the brackets that came with the shipment only if they are suitable for the intended purpose. If the fasteners are included in the order, they are packaged separately. Please note that for partial shipments, mounts may only be included with the first delivery batch.

The number of fasteners must be used according to the instructions (see table).



Table of Contents:

1. Installation of the luminaire frame	
1a.) Installation with MBCR1 brackets	s.3
1b.) Installation into the T-profile ceiling	s.4
2. Electrical connections	s.5
3. LED-module installation	s.6

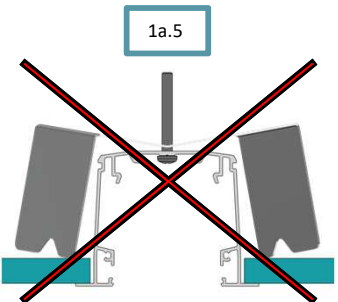
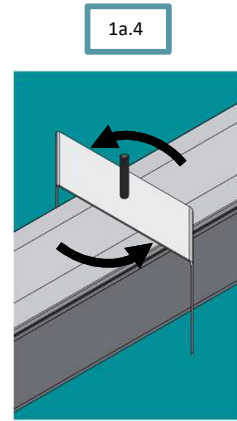
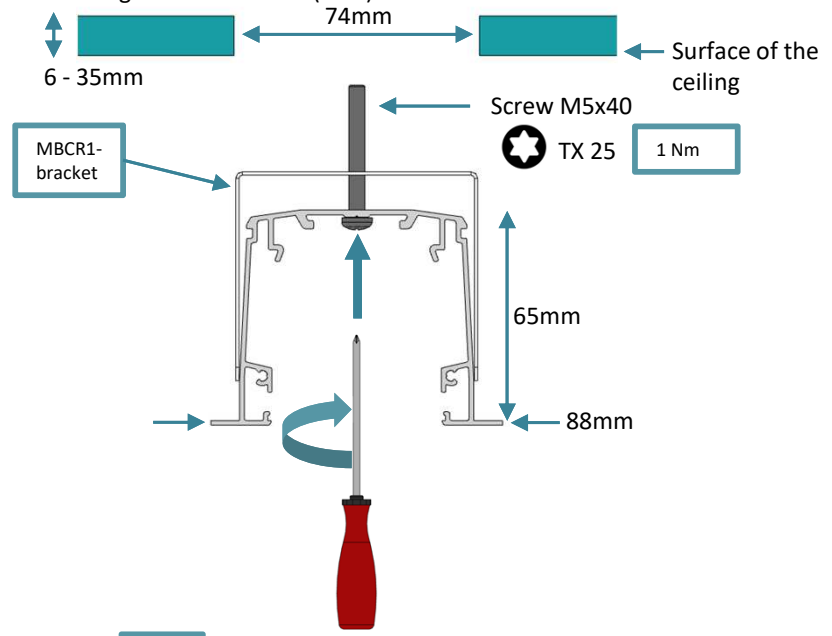


SNEP® Mode R installation instruction

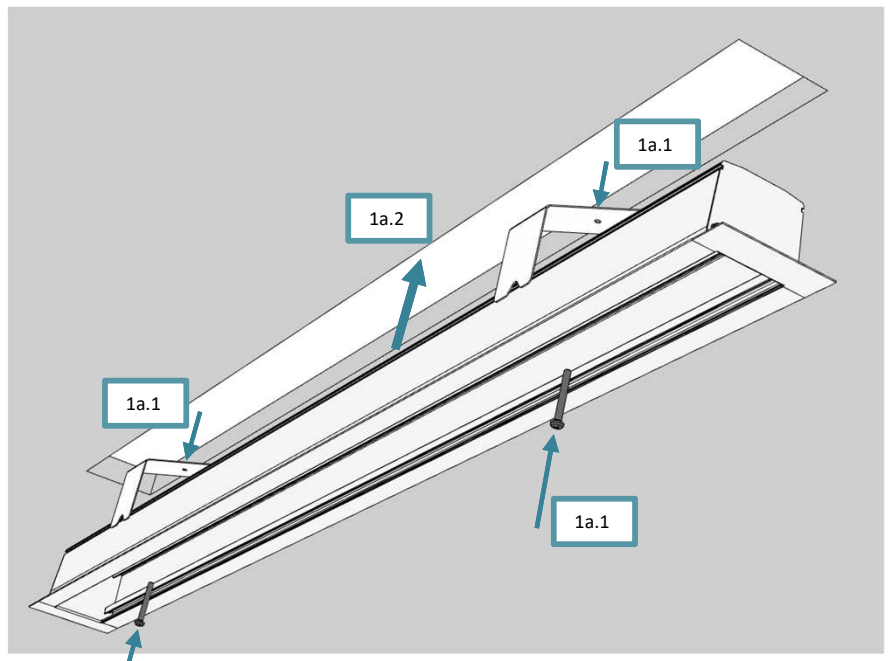
1. Installation of the luminaire frame:

- 1a. FCRR frame assembly into a hole in the ceiling with MBCR1 brackets:**
- Cut the hole to the ceiling. See the dimensions in the hole size table
 - Mount the MBCR1 brackets on the luminaire frame (1a.1) (2pcs/luminaire)
 - Push the frame assembly to the hole (1a.2) evenly towards ceiling surface (1a.3)
 - Turn the MBCR1 brackets as shown in figure (1a.4) towards the surface and tighten up the brackets

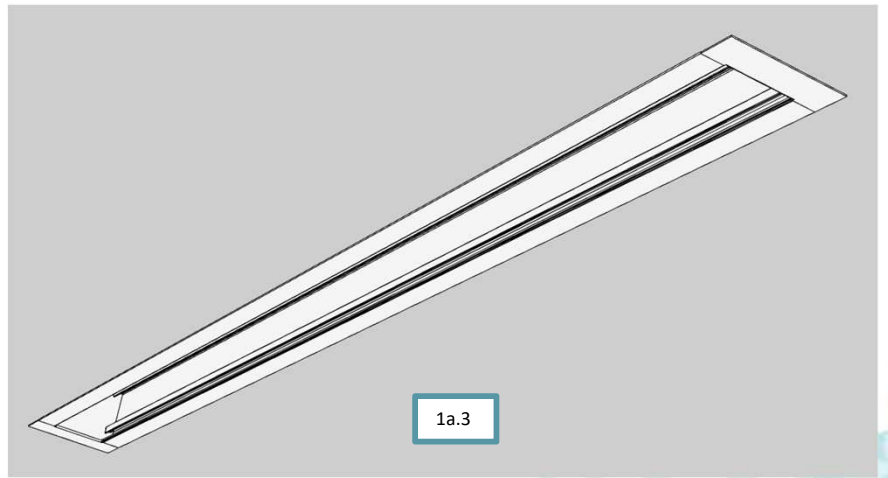
NOTE! Do not over tighten the screws! (1a.5)



NOTE! Do not cover with insulating material.



Frame assembly	Hole dimensions: (±2 mm)
FCRR02	74 x 582 mm
FCRR04	74 x 1142 mm



SNEP® Mode R installation instruction

1. Installation of the luminaire frame:

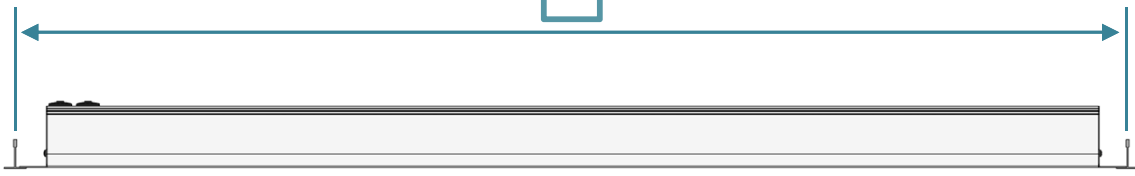
1b. FCRR frame installation into the T-profile ceiling :

- The frame assembly can be done
- In between the T-profiles (1b.1)
 - Along the T-profiles (1b.2)

Installation in between the T-profiles

1b.1

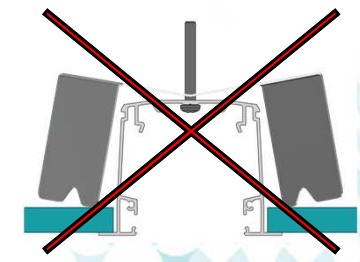
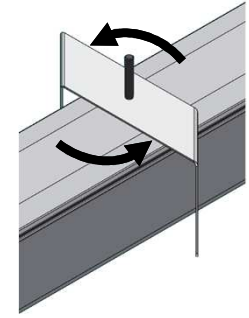
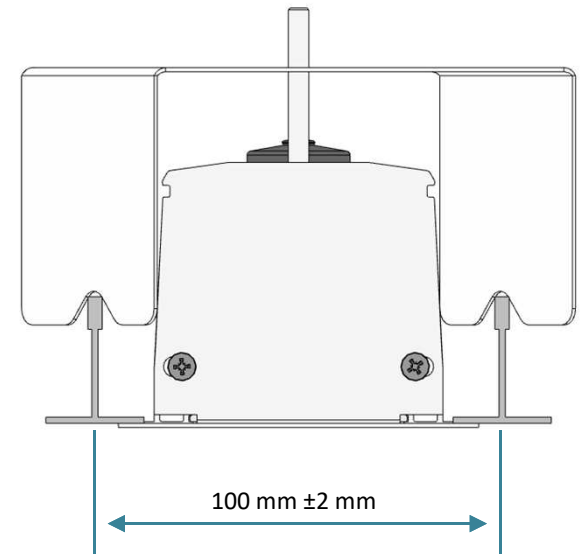
A



Luminaire	Distance between the T-profiles (dimension A)
Mode R02	600 mm
Mode R04	1200 mm

Installation along the T-profiles:

1b.2



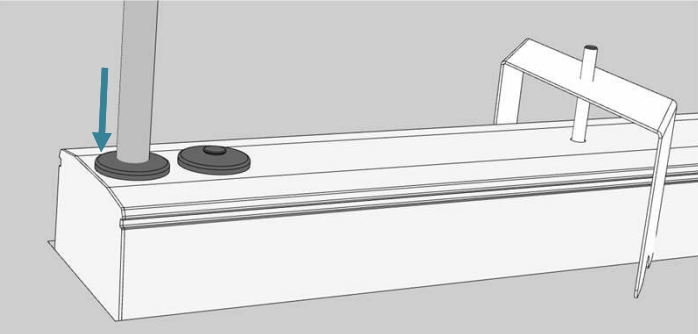
NOTE! Do not cover with insulating material.

SNEP® Mode R installation instruction

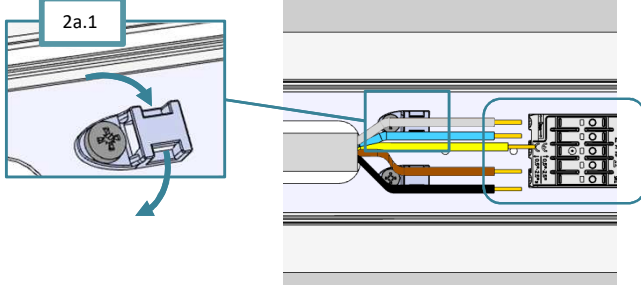
2. Electrical connections:

(Connection to the terminal block, through cabling possible)

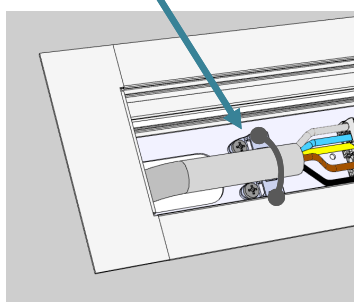
2a. Connection of the cable:
Push the cable through cable gland (option for through cabling):



Mount the cable tie (width max 4.8mm) to the anchor (2a.1) and prepare the cable to the connections. Connect the wires to the terminal block (2a.2):



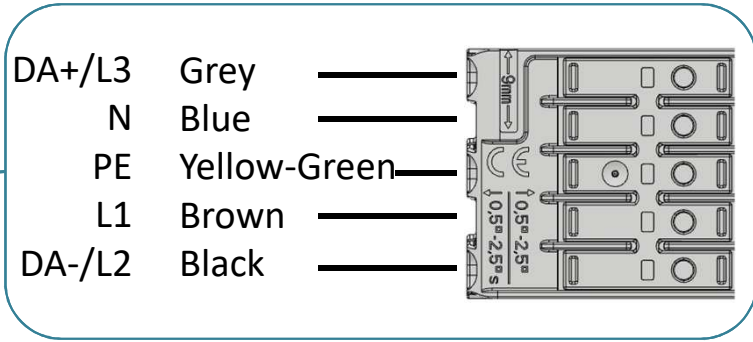
Create the strain relief by tightening up the cable tie as shown in figure.



NOTE! Maintain the basic insulation between the live parts and DALI-control.

Ensure to meet demanded IP-rating with connections by using connection boxes meeting the IP demands.

2a.2



Suitable wire types for the terminal block:
 1.5 - 2.5 mm² solid copper (ML)
 1.5 - 2.5 mm² stranded wire (MK)

Wire peeling length:
 9 - 10 mm

Recommended cable peeling length = 60mm

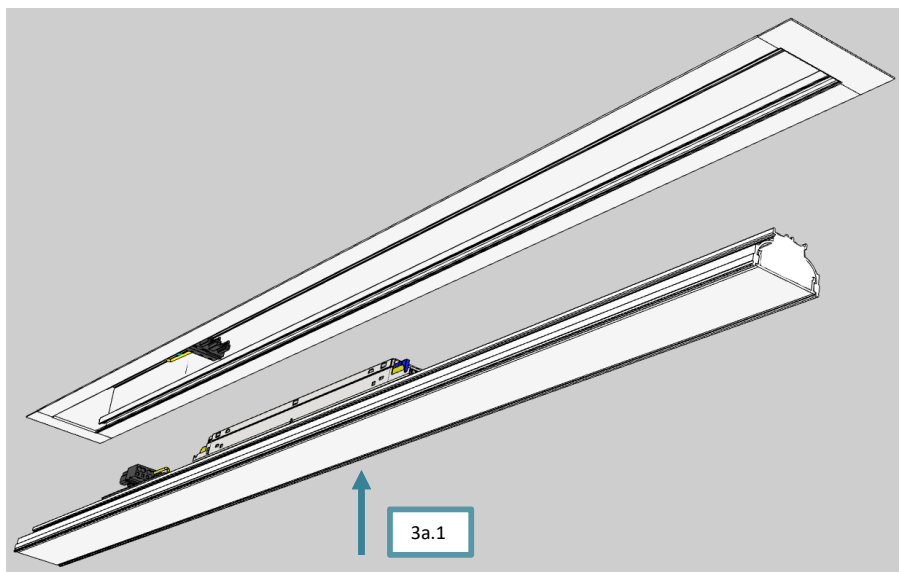
Connection cable types:

MSK / PVC / H05VV-F	White	Indoor use
MSK/ HF / H05Z1Z1-F	Black or white	Indoor use

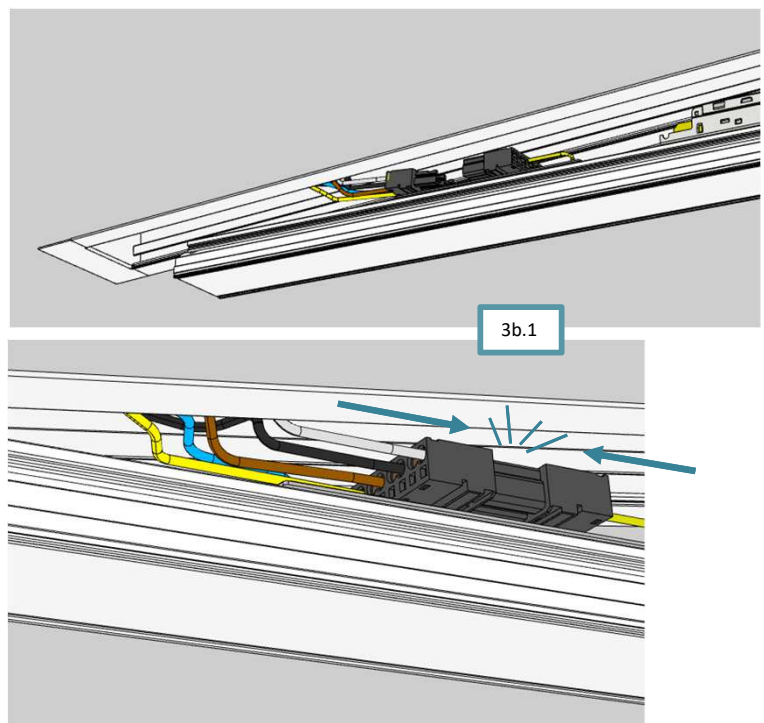
SNEP® Mode R installation instruction

3. Installation of the LED-module:

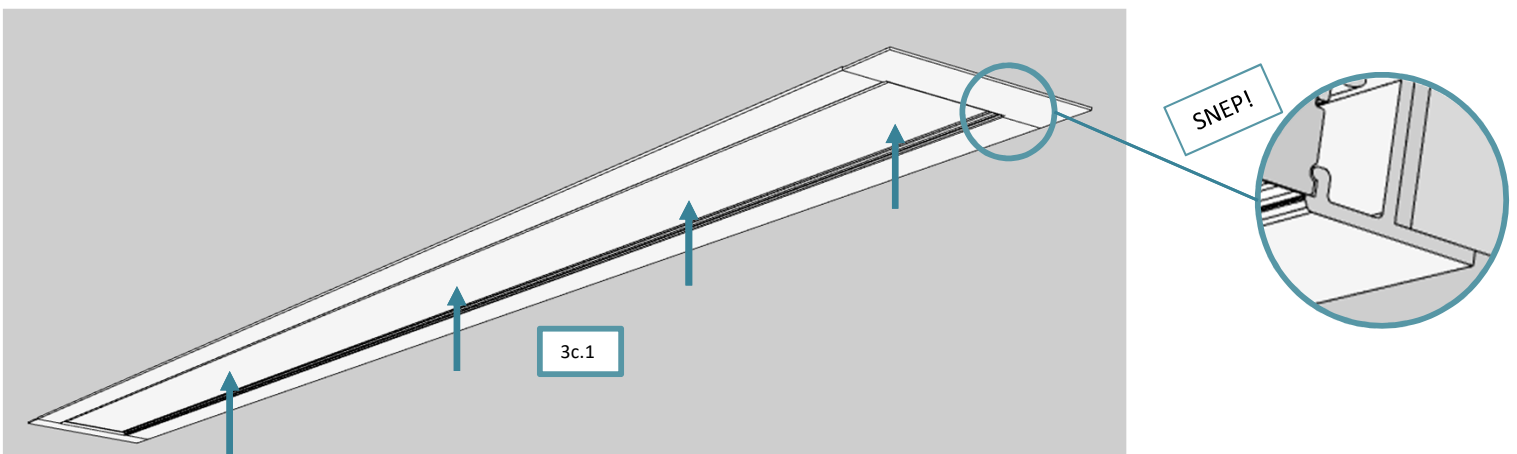
3a. Bring the LED-module close to the luminaire frame (3a.1), so that the LED-module connector reaches the connector within the frame.



3b. Connect the connectors. Ensure that you press them to the bottom (3b.1)



3c. Install the LED-module to the frame by pushing it evenly (3c.1).
NOTE!
Ensure that the LED-module is on its position and fixed to the luminaire frame.



The luminaire and the packaging material must be recycled noting the local requirements.

Purso Lighting Systems tel. +358 3 3404111
Alumiinitie 1 fax. +358 3 3404310
37200 Siuro snep@purso.fi
Finland www.snep.fi